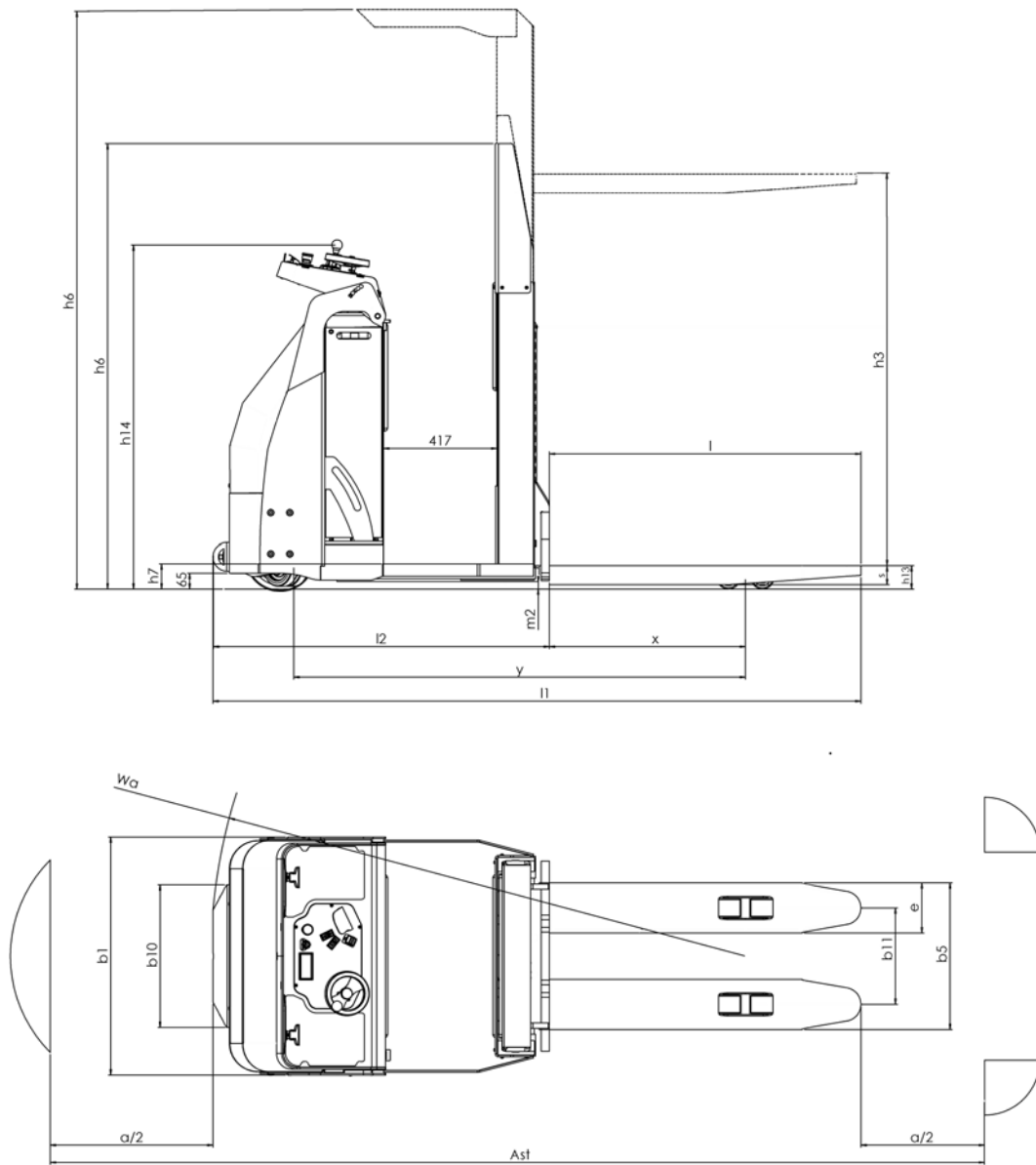


Technical data MPL Lux 15



Characteristics	1.1	Manufacturer		Actil	Actil
	1.2	Model designation		MPL Lux 15	MPL Lux 15
	1.3	Power unit		Battery	Battery
	1.4	Operation		Order picker	Order picker
	1.5	Load capacity	Q (t)	1.5	1.5
	1.6	Load center	c (mm)	600	600
	1.8	Axle centre to fork face	x (mm)	720	720
	1.9	Wheelbase	y (mm)	1710	1710
	Weights	2.1	Service weight	(kg)	1226
2.2		Axle load with load, drive side/load side	(kg)	948/1778	1031/1838
2.3		Axle load without load, drive side/load side	(kg)	850/376	939/430
Wheels/tyres	3.1	Tyres		Polyurethane	Polyurethane
	3.2	Tyre size, drive side		Ø255x125	Ø255x125
	3.3	Tyre size, load side		4xØ85x70	4xØ85x70
	3.5	Wheels, number drive side/load side (x=driven wheels)		1x+2/4	1x+2/4
	3.6	Track width, drive side	b10 (mm)	532	532
	3.7	Track width, load side	b11 (mm)	355	355
		4.4	Lift	h3 (mm)	1415
4.7		Height of cabin	h6 (mm)	1610	2130
4.8		Stand height	h7 (mm)	90	90
4.9		Height of steering wheel in operating position, min/max	h14 (mm)	1260/1300	1260/1300
4.15		Fork height, lowered	h13 (mm)	85	85
4.19		Overall length	l1 (mm)	2385	2385
4.20		Length to fork face	l2 (mm)	1235	1235
4.21		Overall width	b1 (mm)	870	870
4.22		Fork dimensions	s/e/l (mm)	70/185/1150	70/185/1150
4.25		Width across forks	b5 (mm)	540	540
4.32		Ground clearance, centre of wheelbase min/max	m2 (mm)	20/20	20/20
4.34		Aisle width with pallet 800x1200 crossways	Ast (mm)	2807	2807
4.35		Turning radius	Wa (mm)	1983	1983
4.39		Aisle width without pallet	Ast (mm)	2648	2648
Performance		5.1	Travel speed, with/without load	(km/h)	12/12
	5.2	Lifting speed, with/without load	(m/s)	0.11/0.21	0.17/0.21
	5.3	Lowering speed, with/without load	(m/s)	0.43/0.18	0.66/0.19
	5.7	Gradeability, laden/unladen	(%)	10/10	10/10
	5.10	Service brake		Electric	Electric
Drive	6.1	Drive motor S2 60 minute rating	(kW)	3.0	3.0
	6.2	Lift motor rating at S3 15%	(kW)	1.2	1.2
	6.4	Battery voltage/rated capacity (5h)	(V/Ah)	24/465	24/465
	6.5	Battery weight (±5%)	(kg)	370	370
Others	8.1	Type of drive control		Electronic	Electronic
	8.4	Noise level at operator's ear	(dB(A))	<70	<70

Alternative mast types, tyres, equipment, etc. could result in different values. See mast and equipment list.

All technical data according to VDI. 2198.

Performance and dimensions are displayed with reservation for tolerance.